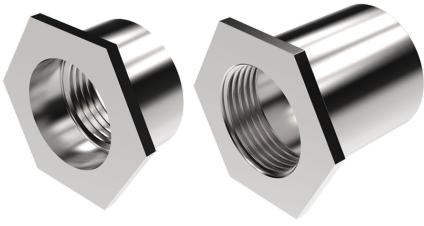


## SPACER NUT



Spacer nut for installing latches in insulated or laminated doors. The nut is used in combination with housing of corresponding length. The nut is supplied in two versions:

X: The threaded area located at the end of the nut (see drawing). Use on long housings to speed up mounting. Clamps on to front panel only.

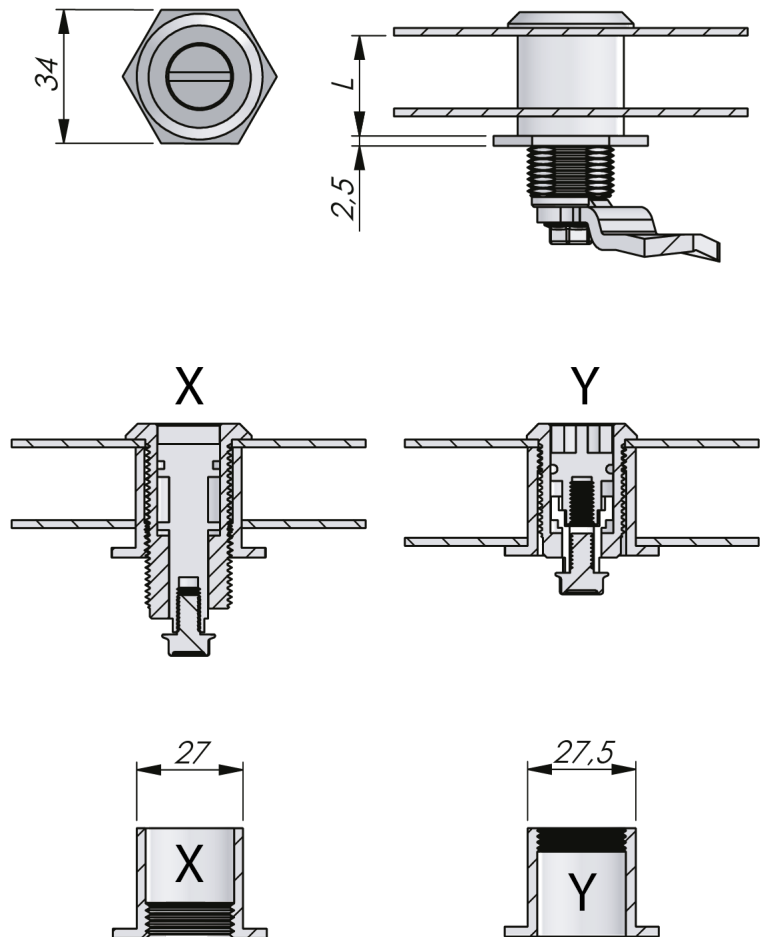
Y: The threaded part located at the open end of the nut (see drawing). Use on thick, insulater or similiar doors. Clamps on to both sides of the double-sided door.

### MATERIAL

**Nut:** Zinc die cast, zinc plated

### TECHNICAL INFORMATION

Other dimensions are available on request.



P/N	Thread Y	Thread X
291118	L=15,0 mm	-
291119	L=23,5 mm	-
291120	-	L=25,5 mm
291121	-	L=50,0 mm
291127	L=38,0 mm	-
291128	L=48,0 mm	-
291129	L=25,0 mm	-
291130	-	L=48,0 mm
291131	L=44,0 mm	-
291132	L=21,0 mm	-
291133	-	L=37,5 mm
291134	-	L=22,5 mm